

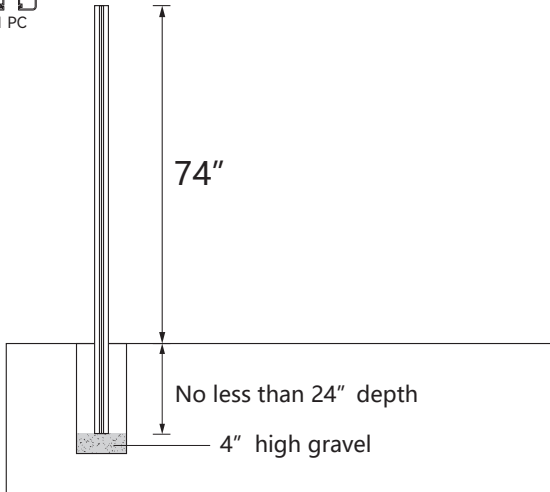


**MODERN YARD**

# HORIZONTAL

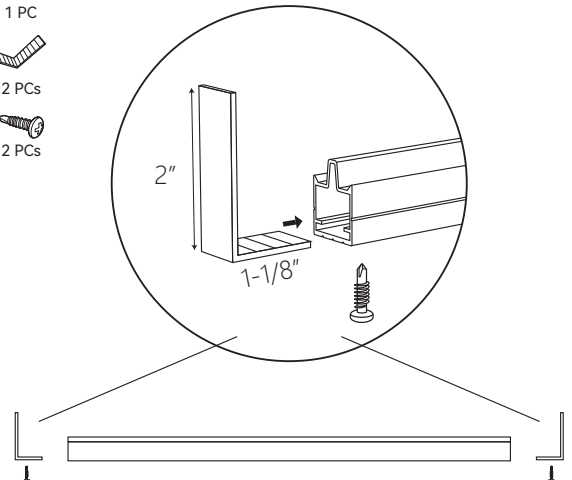
## 6 feet tall Installation

**1**



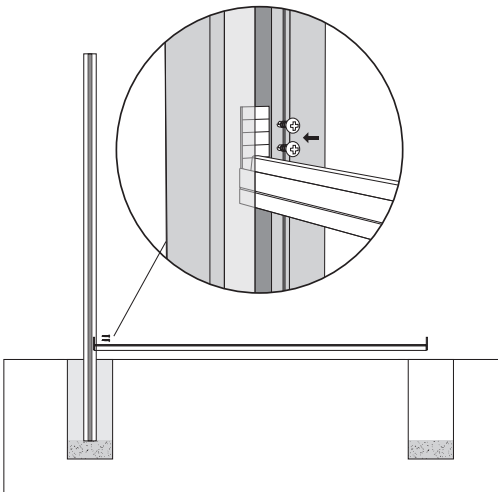
1. Dig a hole for post, 12" diameter 28" depth;  
Fill 4" gravel into the hole;  
Put the post on the gravel.

**2**



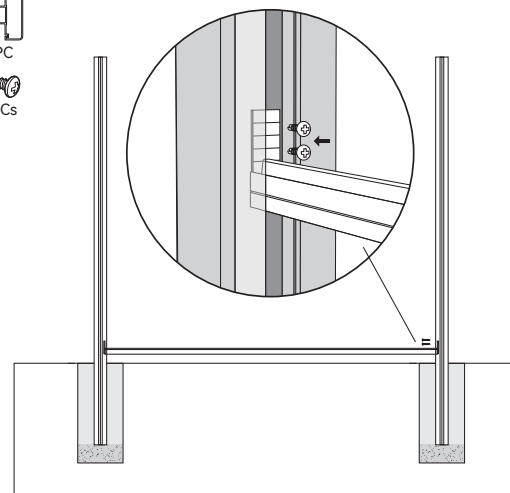
2. Insert the "L" shape bracket into the bottom rail channel;  
Make sure insert the shorer side (1-1/8") into the channel;  
Secure the self tapping screw;  
Repeat same assemble on the other side of bottom rail.

**3**



3. Insert the bottom rail into one post's channel;  
Insert the bottom rail into the other post's channel;  
Mark the location of the other post;  
Dig a hole for the other post, 12" diameter 28" depth;  
Fill 4" gravel into the hole;  
Put the other post on the gravel;  
Level the post, secure the self tapping screw.

**4**



4. Pour the cement into the hole;  
Double level the post;  
Set aside until cement dry.

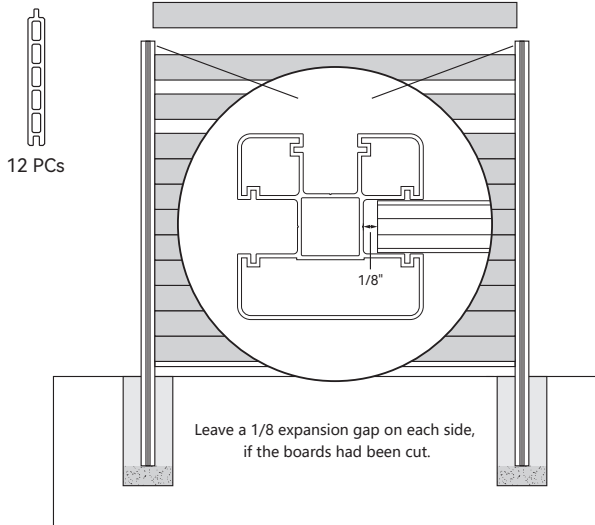


MODERN YARD

# HORIZONTAL

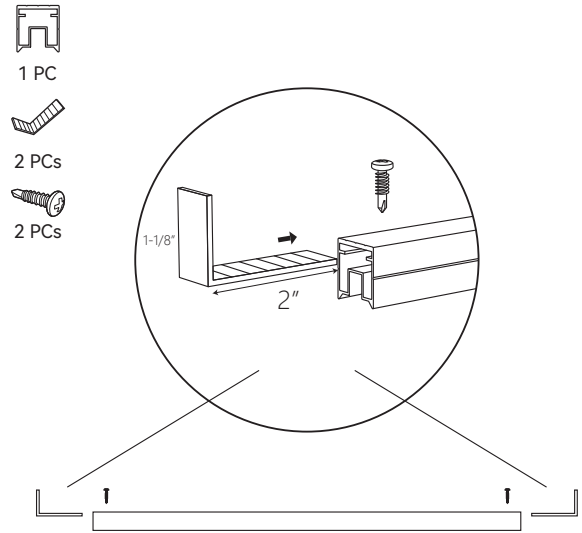
6 feet tall Installation

5



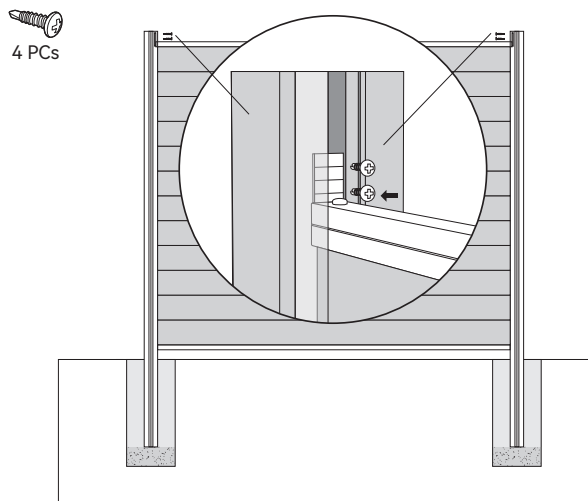
5. Stack 12 WPC fence boards between the posts.

6



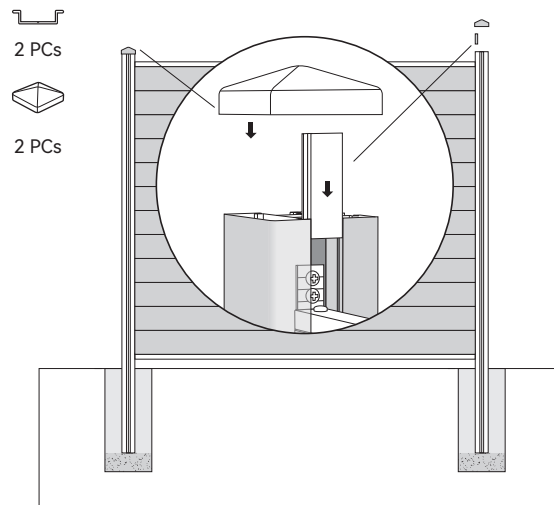
6. Insert L shape bracket into top rail channel;  
Make sure insert the longer side (2") into the channe;  
Secure the self tapping screw;  
Repeat same assemble on the other side of top rail.

7



7. Insert top rail between two posts;  
Secure the self tapping screw to post.

8



8. Put the groove cover and caps on the top of post.